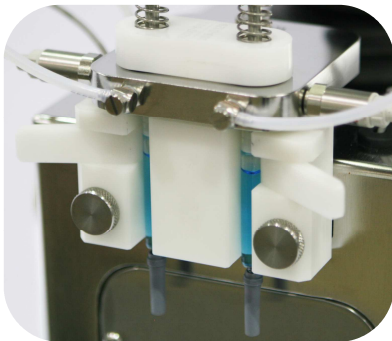


Syringe Piston Insertion System

Semi-Automated Stoppering of Pre-Filled Syringes & Cartridges



OVERVIEW

AST's **Syringe & Cartridge Piston Insertion System** is designed to provide complete and accurate control of the syringe and cartridge stoppering process. The system's innovative design uses vacuum with a servo controlled mechanical assist to position the piston in a repeatable location and under optimized conditions every time.

The operator interfaces with an intuitive, high resolution touch screen interface to create recipes, monitor the process and control the machine. The system monitors and records critical process parameters in the system database that can be accessed for further process analysis.

The **system can** be quickly and easily changed to process any commercially available glass or plastic pre-filled syringes or cartridges.

APPLICATIONS

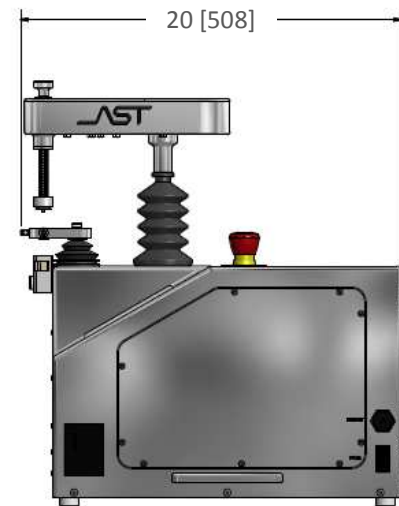
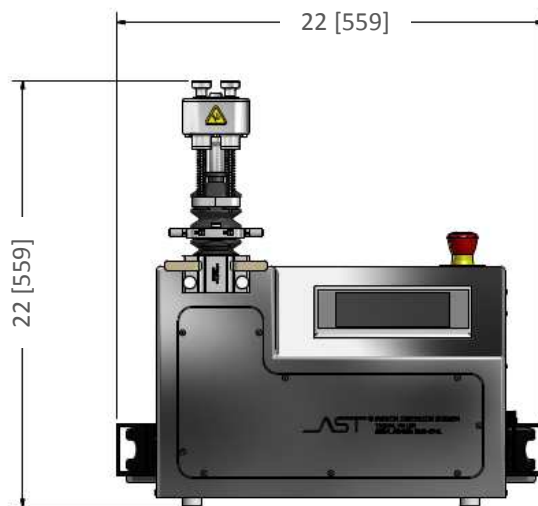
- Small batch clinical manufacturing
- Laboratory studies
- Process & container development
- 503B compounding pharmacies

Piston Insertion System - Syringe & Cartridge Stoppering

FEATURES / BENEFITS

- Automated syringe and cartridge piston / stopper insertion using vacuum
- Intuitive high resolution operator interface
- Tool-less format parts
- Electronic batch record system
- Brushed finish stainless steel enclosure
- 21 CFR Part 11 compliant
- Servo controlled positioning of syringe and cartridge pistons
- Sensors monitor all critical process variables and record them for analysis
- Compatible with common cleanroom cleaners & autoclave sterilization
- Compact footprint for table, isolator and biological safety cabinet use

DIMENSIONS



Dimensions shown in inches [millimeters]

TECHNICAL DATA

Output:	Up to 10 / minute
Ready-To-Use Containers:	Syringes & Cartridges
• Syringes:	1mL - 20mL (Glass or Plastic)
• Cartridges:	3mL (Glass) & 5mL (Plastic)
Stoppering Method:	Vacuum with mechanical assist
Weight:	Approx. 42 kg (93 lbs)
Finish:	#4 finish / pharmaceutical stainless steel
Power:	110 VAC, 60 Hz / 240 VAC, 50Hz.
Air:	6 Bar (90 PSI), clean dry air

